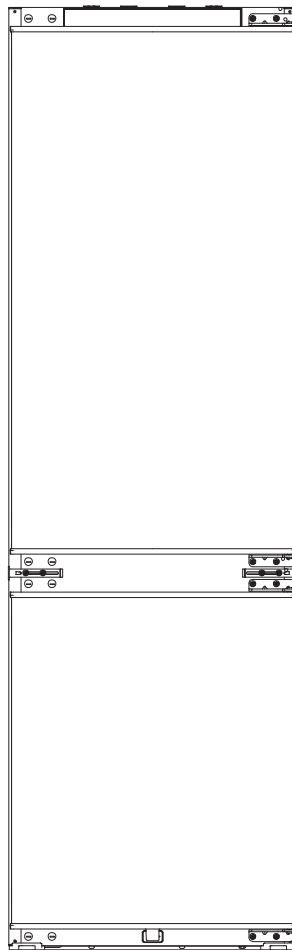




Modelo: MFCI 293



Contents

Safety and warning information_____	2	Helpful hints and tips _____	14
Description of the appliance _____	9	Cleaning and care _____	15
Electronic control_____	9	Troubleshooting_____	16
First use and installation_____	11	Reverse the door_____	18
Daily use _____	13	Disposal of the appliance_____	19



Safety and warning information

For your safety and correct usage, before installing and first using the appliance, read this user manual carefully, including its hints and warnings. To avoid unnecessary mistakes and accidents, it is important to make sure that all people using the appliance are thoroughly familiar with its operation and safety features. Save these instructions and be sure that they remain with the appliance if it is moved or sold, so that anyone using it throughout its life, will be properly informed on its usage and safety notices.

For the safety of life and property, keep the precautions of these user's instructions as the manufacturer is not responsible for damages caused by omission.

Safety for children and others who are vulnerable people

- According to EN standard

This appliance can be used by children aged from 8 years and above and persons with reduced physical, sensory or mental capabilities or lack of experience and knowledge if they have been given supervision or instruction concerning use of the appliance in a safe way and understand the hazards involved. Children shall not play with the appliance. Cleaning and user maintenance shall not be made by children without supervision.

According to IEC standard

This appliance is not intended for use by persons (including children) with reduced physical, sensory or mental capabilities, or lack of experience and knowledge, unless they have been given supervision or instruction concerning use of the appliance by a person responsible for their safety.

- Keep all packaging away from children as there is risk of suffocation.
- If you are discarding the appliance, pull the plug out of the socket, cut the connection cable (as close to the appliance as you can) and remove the door to prevent children playing from suffering an electric shock or from closing themselves inside it.
- If this appliance, featuring a magnetic door seals, is to replace an older appliance having a spring lock (latch) on the door or lid, be sure to make the spring lock unusable before you discard the old appliance. This will prevent it from becoming a death trap for a child.

General safety



- **WARNING** — This appliance is intended to be used in household and similar applications such as
 - staff kitchen areas in shops, offices and other working environments;
 - farm houses and by clients in hotels, motels and other residential type environments;
 - bed and breakfast type environments;
 - catering and similar non-retail applications.
 - **WARNING** — Do not store explosive substances such as aerosol cans with a flammable propellant in this appliance.
 - **WARNING** — If the supply cord is damaged, it must be replaced by the manufacturer, its service agent or similarly qualified persons in order to avoid a hazard.
 - **WARNING** — Keep ventilation openings, in the appliance enclosure or in the built-in structure, clear of obstruction.
 - **WARNING** — Do not use mechanical devices or other means to accelerate the defrosting process, other than those recommended by the manufacturer.
 - **WARNING** — Do not damage the refrigerant circuit.
 - **WARNING** — Do not use electrical appliances inside the food storage compartments of the appliance, unless they are of the type recommended by the manufacturer.
-

-
- **WARNING** — The refrigerant and insulation blowing gas are flammable. When disposing of the appliance, do so only at an authorized waste disposal centre. Do not expose to flame.
 - **WARNING** —When positioning the appliance, ensure the supply cord is not trapped or damaged.
 - **WARNING** —Do not locate multiple portable socket-outlets or portable power supplies at the rear of the appliance.
 - **WARNING** — To avoid a hazard due to instability of the appliance, it must be fixed in accordance with the instructions.

Replacing the illuminating lamps

- **WARNING**—The illuminating lamps must not be replaced by the user! If the illuminating lamps is damaged, contact the customer helpline for assistance.

This warning is only for refrigerators that contain illuminating lamps.

Refrigerant

The refrigerant isobutene (R600a) is contained within the refrigerant circuit of the appliance, a natural gas with a high level of environmental compatibility, which is nevertheless flammable. During transportation and installation of the appliance, ensure that none of the components of the refrigerant circuit becomes damaged.

The refrigerant (R600a) is flammable.

- **WARNING** — Refrigerators contain refrigerant and gases in the insulation. Refrigerant and gases must be disposed of professionally as they may cause eye injuries or ignition. Ensure that tubing of the refrigerant circuit is not damaged prior to proper disposal.



WARNING: Risk of fire / flammable materials

If the refrigerant circuit should be damaged:

- Avoid opening flames and sources of ignition.
 - Thoroughly ventilate the room in which the appliance is situated.
-

It is dangerous to alter the specifications or modify this product in any way.

Any damage to the cord may cause a shortcircuit, fire, and/or electric shock.



Electrical safety

1. The power cord must not be lengthened.
2. Make sure that the power plug is not crushed or damaged. A crushed or damaged power plug may overheat and cause a fire.
3. Make sure that you can access the main plug of the appliance.
4. Do not pull the main cable.
5. If the power plug socket is loose, do not insert the power plug. There is a risk of electric shock or fire.
6. You must not operate the appliance without the interior lighting lamp cover.
7. The fridge is only applied with power supply of single phase alternating current of 220~240V/50Hz. If fluctuation of voltage in the district of user is so large that the voltage exceeds the above scope, for safety sake, be sure to apply A.C. Automatic voltage regulator of more than 350W to the fridge. The fridge must employ a special power socket instead of common one with other electric appliances. Its plug must match the socket with ground wire.

Daily use

- Do not store flammable gass or liquids in the appliance, There is a risk of an explosion.
 - Do not operate any electrical appliances in the appliance (e.g. electric ice cream makers, mixers etc.).
 - When unplugging always pull the plug from the mains socket, do not pull on the cable.
 - Do not place hot items near the plastic components of this appliance.
-

-
- Do not place food products directly against the air outlet on the rear wall.
 - Store pre-packed frozen food in accordance with the frozen food manufacture's instructions.
 - The appliances manufactures storage recommendations should be strictly adhered to. Refer to relrelevant instructions for storage.
 - Do not place carbonated or fizzy drinks in the freeze compartment as it creates pressure on the container, which may cause it to explode, resulting in damage to the appliance.
 - Frozen food can cause frost burns if consumed straight from the freezer compartment.
 - Do not place the appliance in direct sunlight.
 - Keep burning candles, lamps and other items with naked flames away from the appliance so that do not set the appliance on fire.
 - The appliance is intended for keeping food stuff and/or beverages in normal household as explained in this instruction booklet The appliance is heavy. Care should be taken when moving it.
 - Do not remove nor touch items from the freezer compartment if your hands are damp/wet, as this could cause skin abrasions or frost/freezer burns.
 - Never use the base, drawers, doors etc. to stand on or as supports.
 - Frozen food must not be refrozen once it has been thawed out.
 - Do not consume ice popsicles or ice cubes straight from the freezer as this can cause freezer burn to the mouth and lips.
 - To avoid items falling and causing injury or damage to the appliance, do not overload the door racks or put too much food in the crisper drawers.
 - **Never cover or obstruct the ventilation slats on the appliance.**
-

caution!**Care and cleaning**

- Before maintenance, switch off the appliance and disconnect the mains plug from the mains socket.
- Do not clean the appliance with metal objects, steam cleaner, ethereal oils, organic solvents or abrasive cleansers.
- Do not use sharp objects to remove frost from the appliance. Use a plastic scraper.

Installation Important!

- For electrical connection carefully, follow the instructions given in this manual.
Unpack the appliance and check if there are damages on it.
 - Do not connect the appliance if it is damaged. Report possible damages immediately to the place you bought it. In this case retain packing.
 - It is advisable to wait at least four hours before connecting the appliance to allow the oil to flow back in the compressor.
 - Adequate air circulation should be around the appliance, lacking this leads to overheating. To achieve sufficient ventilation, follow the instructions relevant to installation.
 - Wherever possible the back of the product should not be too close to a wall to avoid touching or catching warm parts (compressor, condenser) to prevent the risk of a fire, follow the instructions relevant to installation.
 - The appliance must not be locate close to radiators or cookers.
 - Make sure that the mains plug is accessible after the installation of the appliance.
-

Service

- Any electrical work required to do the servicing of the appliance should be carried out by qualified electrician or competent person.
- This product must be serviced by an authorized Service Center, and only genuine spare parts must be used.
 - 1) If the appliance is Frost Free.
 - 2) If the appliance contains freezer compartment.

In case of malfunction

If a malfunction occurs on the appliance, please look first in the “Trouble shooting” section of these instructions. If the information given there does not help, please do not perform any further repairs yourself.

Under no circumstance should you attempt to repair the appliance yourself. Repairs carried out by inexperienced persons may cause injury or serious malfunctioning.

Remove transport packaging

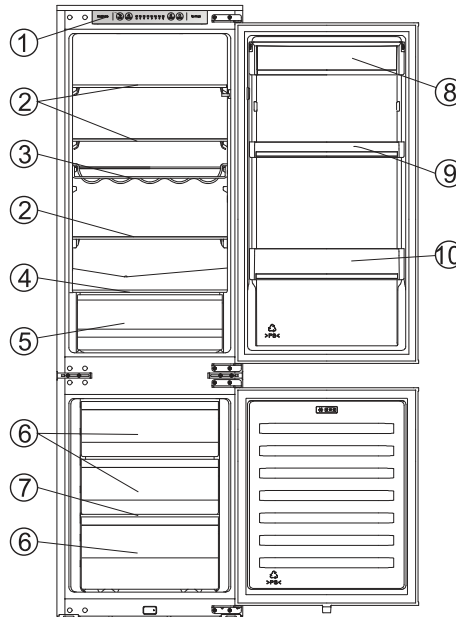
The appliance and the interior fittings are protected for transportation. Pull off the adhesive tape on the left and right side of the door. You can remove any remnants of adhesive using white spirit. Remove all adhesive tape and packing pieces from the interior of the appliance.

Note: Children aged from 3 to 8 years are allowed to load and unload refrigerating appliances. (This clause applies only to the EU region.)

Description of the appliance

View of the appliance

1. Electronic control
2. Storage shelves
3. Bottle rack
4. Vegetable drawer cover
5. Vegetable drawer
6. Freezer drawers
7. Freezer glass
8. Upper rack
9. Middle rack
10. Lower rack



RIB312

Note: Due to constant modification of our products, your refrigerator may be slightly different from this Instruction Manual, but its functions and using methods remain the same.

Note: To get the best energy efficiency of this product, please place all shelves, drawers and baskets on their original position as the illustration above.

Electronic Control

All functions and controls of the unit are accessible from a control panel conveniently located on the roof of the cabinet. A display circuit board allows easy configuration of features and settings in a simple and intuitive manner.

Important!

When the refrigerator is energized, all the pilot lights will turn on for 3 sec and you will also heard a long sound of “beep”. The display board consists of four buttons and eight pilot lights. You will heard a short sound of “beep” when you press the buttons.

Controlling the temperature

To ensure the normal operation of the refrigerator, we recommend that when you start your refrigerator for the first time, the temperature for the refrigerator is set to 5°C.

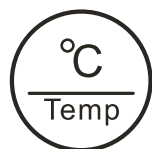
However, the exact setting should be chosen keeping in mind that the temperature inside the appliance depends on:

- room temperature
- how often the door is opened
- quantity of food stored
- appliance location



Electronic Control (located at the top of appliance)

1. Temp



Press “Temp” button to set fridge temperature between 8°C and 2°C as needed, and

the light of the comparable temperature will be lightened corresponding values according to the following sequence.



Note!

Settings may be made from 2 to 8. You will obtain a colder fridge temperature and a lower freezer temperature by adjusting “Temp” towards 2 position:

Coldest setting: 2°C.

Warmest setting: 8°C.

- For optimum food preservation, a medium setting is generally the most suitable.

Note: High temperature setting will accelerate food waste.

2. Super Cool



To freeze fresh food activate the Super Cool function at least 24 hours before placing the food to complete prefreezing.

- The Super Cool is used to perform prefreezing and fast freezing in sequence of Fresh food and Freezer compartments. This function accelerates the freezing of fresh food and, at the same time, protects foodstuffs already stored from undesirable warming.

- Press “Super Cool” button to activate the super cool function. The Super icon will light up and the fridge temperature indicator will display 2°C.

Super cool automatically switches off after 52 hours.

- When super cool function is on, you can switch off super cool function by pressing “Super Cool” or “Temp” button, then the fridge temperature setting or function mode will revert back to the previous setting.

3. Alarm



In case of alarm, “Alarm” icon will light up and a buzzing sound will start.

Press “Alarm” button to stop alarm and buzzing then “Alarm” icon will turn off.

Door Alarm

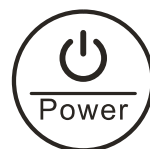
The alarm light on and a buzzing sound indicate abnormal conditions, such as accidentally a door left open.

- Leaving the door of refrigerator open for over 2 minutes will activate a door alarm and buzzer. The buzzer will beep 3 times per minute for 10 minutes.

Closing the door cancels the door alarm and buzzer.

- To save energy, please avoid keeping the door open for a long time when using refrigerator.

4. Power



If you want to stop using it, you can turn the appliance off by pressing “Power” button.

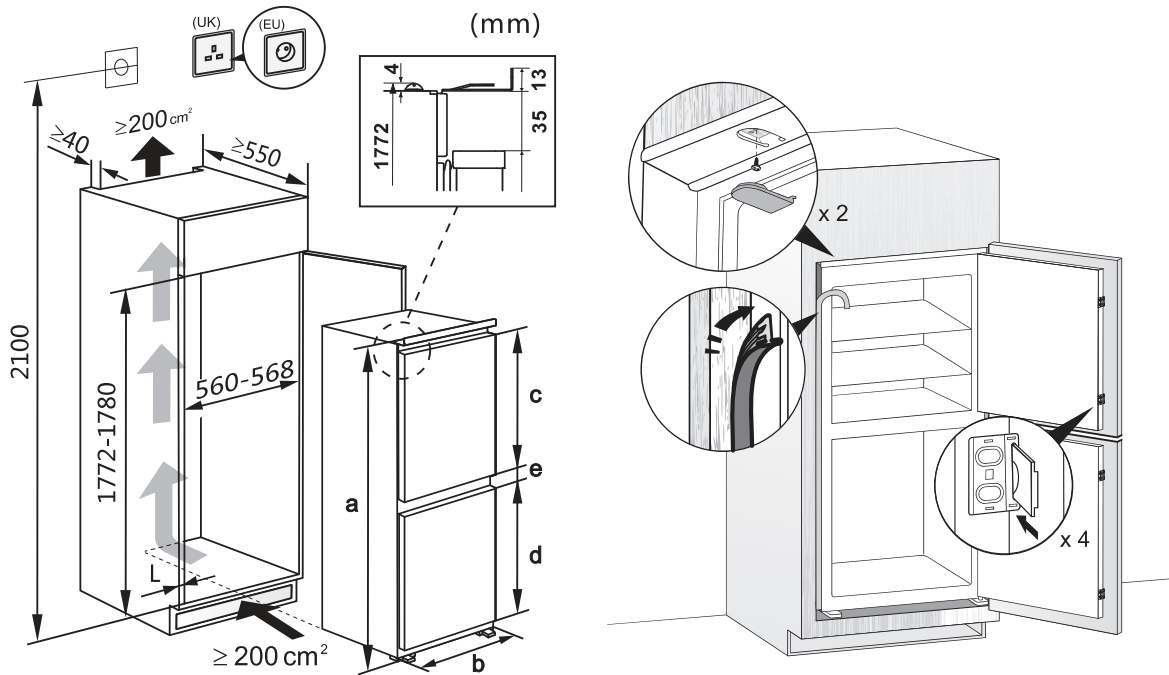
- When the refrigerator is working, you can switch the appliance off by pressing “Power” button for above 3 seconds, meanwhile the display panel will be turned off.

Important ! Do not store any food in the fridge during this time. If you will not use the refrigerator for a long time, please pull the plug.

- When the appliance is power off, you can switch the appliance on by pressing “Power” button for 1 second, and the refrigerator returns to previous temperature setting.

First use and installation

Built-In Fridge Freezer



Technical characteristics

- a Height
- b Width
- c Refrigerator door height
- d Freezer door height
- e Profundity
- f Door-opening angle

Parameters of appliance	a	b	c	d	e	f
MFCI 293	1772	540	990	632	71	≅ 95°


Note: Your product is designed and built for domestic household use only. The product must be correctly installed, located and operated in accordance with the instructions contained in the User Instructions provided.

Note: Parameters provided in table are design parameters. Because of the various reasons, there will be a slight deviation between actual dimension and design parameter. The data listed are only for reference.

Cleaning before use

- Before using the appliance for the first time, wash the interior and all internal accessories with lukewarm water and neutral soap in order to remove the typical smell of a brand new product, then dry thoroughly.

Installation Positioning

 **Warning!** Before installing, read the instructions carefully for your safety and the correct operation of the appliance.

- Position the appliance away from sources of heat such as stoves, radiators, direct sunlight, etc.
- Maximum performance and safety are guaranteed by maintaining the correct indoor temperature for the class of unit concerned, as specified on the rating plate.
- The appliance operates well in the corresponding climate type.
The appliance may not work properly if it is left for a longer period at a temperature above or below the indicated range.

Important! It is necessary to have good ventilation around the refrigerator to allow for the dissipation of heat, high efficiency, and low power consumption. For this reason, sufficiently cleared space should be available around the refrigerator.

Climate class	Ambient temperature
SN	+10°C to +32°C
N	+16°C to +32°C
ST	+16°C to +38°C
T	+16°C to +43°C

Leveling

- The appliance should be level in order to eliminate vibration. To make the appliance level, it should be upright and adjusters should be in stable contact with the floor. Also adjust the level by unscrewing the appropriate level adjustment in the front (use your fingers or a suitable spanner).

Electrical connection

Caution! Any electrical work required to install the appliance should be carried out by a qualified or authorized person.

Warning! This appliance must be grounded. The manufacturer declines any liability should these safety measures not be observed.

Daily use

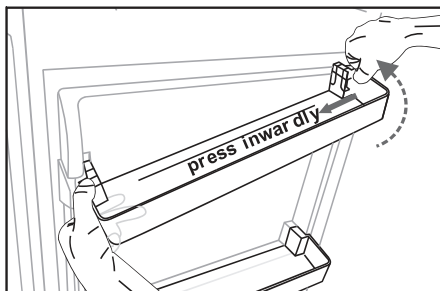
Accessories 1)

Movable shelves/trays

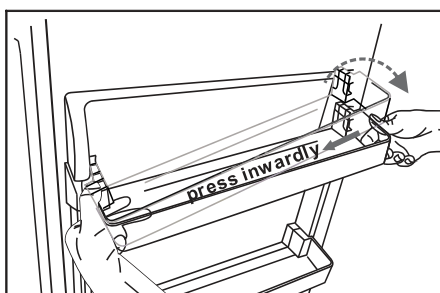
- Various glass, plastic storage shelves or wire trays are included with your appliance. Different models have different combinations and different models have different features.
- The walls of the refrigerator are equipped with a series of runners so that the shelves can be positioned as desired.

Positioning the door racks

- To permit the storage of food packages of various sizes, the door racks can be placed at different heights.
- To adjust, gradually pull the rack in the direction of the arrows until it comes free, then reposition as required.



Remove the door rack



Install the door rack

Vegetable Drawer

- For storing fruit and vegetables.

Freezer Drawer

- For storing frozen food.

Ice-cube tray

- For making ice and storing ice-cubes.

Refrigerator compartment 2)

- For storing food that does not need to be frozen and different sections suitable for different kinds of food.

Freezer food compartment 2)

- For freezing fresh food and storing frozen and deep-frozen food for long periods of time.

Thawing food 2)

- In the refrigerator compartment.
- At room temperature.
- In a microwave oven.
- In a conventional or convection oven.
- Food once thawed should be re-frozen with the exception of special cases.

1) If the appliance contains related accessories and functions.

2) If the appliance contains a freezer compartment.

Helpful hints and tips

Noises during operation

Clicks- Whenever the compressor switches on or off, a click can be heard.

Humming- As soon as the compressor is in operation, you can hear it humming.

Bubbling- When refrigerant flows into thin tubes, you can hear bubbling or splashing noises.

Splashing- Even after the compressor has been switched off, this noise can be heard for a short time.

Energy saving tips

- Do not install the appliance near stoves, radiators or other sources of warmth.
- Keep the time the appliance is open to a minimum.
- Do not set the temperature colder than necessary.
- Make sure the side plates and back plate of the appliance are at some distance from the wall, and follow the instructions relevant to installation.
- If the diagram shows the correct combination for the drawers, crisper and shelves, do not adjust the combination as it would produce an effect on energy consumption.

Hints for fresh food refrigeration

- Do not store warm foods or evaporating liquids in the appliance.
- Do cover or wrap the food, particularly if it has a strong flavor or odor.
- Position food so that air can circulate freely around it.

Hints for refrigeration

- Meat (all types): wrap in polyethylene (plastic) bags and place on the glass shelf above the vegetable drawer. For safety, store in this way only one or two days at the most.
- Cooked foods, cold dishes, etc...: these should be covered and may be placed on any shelf.
- Fruit and vegetables: these should be thoroughly cleaned and placed in the special drawer provided.

- Butter and cheese: these should be placed in aluminum foil or polyethylene (plastic) bags while removing as much air as possible.
- Milk bottles: these should have a cap and should be stored in the bottle rack on the door.

Hints for freezing

- When first starting-up or after a period out of use. Before putting the food in the compartment, let the appliance run at 2 hours on the higher settings.
- Prepare food in small portions to enable it to be rapidly and completely frozen and to make it possible to subsequently thaw only the quantity required.
- Wrap up the food in aluminum foil or polyethylene (plastic) and make sure that the packages are airtight.
- Do not allow fresh, unfrozen food to touch food that is already frozen, thus avoiding a rise in the temperature of the latter.
- Iced products, if consumed immediately after removal from the freezer compartment, can possibly cause skin to become freezer burnt.
- It is recommended to label and date each frozen package in order to keep track of the storage time.

Hints for the storage of frozen food

- Ensure that frozen food has been stored correctly by the food retailer.
- Once defrosted, foods deteriorate rapidly and can not be re-frozen.
- Do not exceed the storage period indicated by the food manufacturer.

Note: If the appliance contains related accessories and functions.

Switching off your appliance

- Empty the appliance.
- Pull out the power plug.
- Clean and dry the interior thoroughly.
- Ensure that all doors are wedged open slightly to allow air to circulate.

Cleaning and Care

Cleaning and care

For hygienic reasons, the appliance (the including exterior and interior accessories) should be cleaned regularly at least every two months.



Warning! Danger of electrical shock!

- The appliance must not be connected to the main power supply during cleaning. Before cleaning, switch the appliance off and remove the plug from the main power supply, or shut off the circuit breaker or fuse.

Exterior cleaning

To maintain good appearance of your appliance, you should clean it regularly.

- Wipe the digital panel and display panel with a clean, soft cloth.
- Spray water onto the cleaning cloth instead of spraying directly on the surface of the appliance. This helps ensure an even distribution of moisture to the surface.
- Clean the doors and cabinet surfaces with a mild detergent and then wiped dry with a soft cloth.

Caution!

- Don't use sharp objects as they are likely to scratch the surface.
- Don't use Thinner, Car detergent, Clorox, ethereal oil, abrasive cleansers or organic solvent such as Benzene for cleaning. They may damage the surface of the appliance and may cause fire.

Interior cleaning

- You should clean the appliance interior regularly. It will be easier to clean when food stocks are low. Wipe the inside of the fridge freezer with a weak solution of bicarbonate of soda, and then rinse with warm water using a wrung-out sponge or cloth. Wipe completely dry before replacing the shelves and baskets. Thoroughly dry all surface and removable parts
- Although this appliance automatically defrosts, a layer of frost may occur on the freezer compartment's interior walls if the freezer door is opened frequently or kept open too long. If the frost is too thick, choose a time when the supply of food stocks are low and proceed as follows:
- Remove existing food and accessories

baskets, unplug the appliance from the mains power and leave the doors open. Ventilate the room thoroughly to accelerate the thawing process.

- When defrosting is completed, clean your freezer as described above.

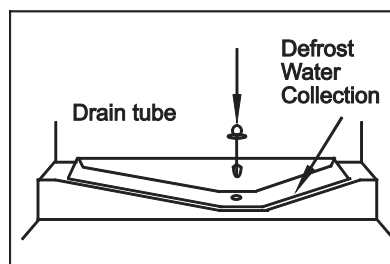
Caution!

Don't use sharp objects to remove frost from the freezer compartment. Only after the interior is completely dry should the appliance be switched back on and plug back into the mains socket.

Defrosting

A) Fridge compartment

- This compartment defrosts automatically. The defrosting water runs to the drain tube via a collection container at the back of the appliance.



B) Freezer compartment

- This compartment defrosts automatically.

Door seals cleaning

- Take care to keep door seals clean. Sticky food and drinks can cause seals to the cabinet and tear when you open the door. Wash seal with a mild detergent and warm water. Rinse and dry it thoroughly after cleaning.

Caution!

Only after the door seals are completely dry should the appliance be powered on.

Replacing the LED light

- Warning: The LED light must not be replaced by the user! If damaged, contact the customer helpline for assistance. To replace the LED light, the below steps can be followed:
 1. Unplug your appliance.
 2. Remove light cover by pushing up and out.
 3. Hold the LED cover with one hand and pull it with the other hand while pressing the connector latch.
 4. Replace LED light and snap it correctly in place.

Troubleshooting

If you experience a problem with your appliance or are concerned that the appliance is not functioning correctly, you can carry out some easy checks before calling for service, please see below.

Warning! Don't try to repair the appliance yourself. If the problem persists after you have made the checks mentioned below, contact a qualified electrician, authorized service engineer or the shop where you purchased the product.

Problem	Possible cause & Solution
Appliance is not working correctly	Check whether the power cord is plugged into the power outlet properly.
	Check the fuse or circuit of your power supply, replace if necessary.
	The ambient temperature is too low. Try setting the chamber temperature to a colder level to solve this problem.
	It is normal that the freezer is not operating during the automatic defrost cycle, or for a short time after the appliance is switched on to protect the compressor.
Odours from the compartments	The interior may need to be cleaned
	Some food, containers or wrapping cause odours.
Noise from the appliance	The sounds below are quite normal: <ul style="list-style-type: none"> • Compressor running noises. • Air movement noise from the small fan motor in the freezer compartment or other compartments. • Gurgling sound similar to water boiling. • Popping noise during automatic defrosting. • Clicking noise before the compressor starts.
	Other unusual noises are due to the reasons below and may need you to check and take action: <ul style="list-style-type: none"> The cabinet is not level. The back of appliance touches the wall. Bottles or containers fallen or rolling.
The motor runs continuously	It is normal to frequently hear the sound of the motor, it will need to run more when in following circumstances: <ul style="list-style-type: none"> • Temperature setting is set colder than necessary • Large quantity of warm food has recently been stored within the appliance. • The temperature outside the appliance is too high. • Doors are kept open too long or too often. • After your installing the appliance or it has been switched off for a long time.
A layer of frost occurs in the compartment	Check that the air outlets are not blocked by food and ensure food is placed within the appliance to allow sufficient ventilation. Ensure that door is fully closed. To remove the frost, please refer to cleaning and care chapter.

Temperature inside is too warm	You may have left the doors open too long or too frequently; or the doors are kept open by some obstacle; or the appliance is located with insufficient clearance at the sides, back and top
Temperature inside is too cold	Increase the temperature by following the “Display controls” chapter.
Doors can't be closed easily	Check whether the top of the refrigerator is tilted back by 10-15mm to allow the doors to self close, or if something inside is preventing the doors from closing.
Water drips on the floor	The water pan (located at the rear bottom of the cabinet) may not be properly leveled, or the draining spout (located underneath the top of the compressor depot) may not be properly positioned to direct water into this pan, or the water spout is blocked. You may need to pull the refrigerator away from the wall to check the pan and spout.
The light is not working	<ul style="list-style-type: none">•The LED light may be damaged. Refer to replace LED lights in cleaning and care chapter.•The control system has disabled the lights due to the door being kept open too long, close and reopens the door to reactivate the lights.

Reverse the door

The side in which the door opens can be changed from the right side (as supplied) to the left side, if the installation site allows for it.

Warning! When reversing the door, the appliance must not be connected to the mains. Ensure that the plug is removed from the mains socket.

Tools you will need:

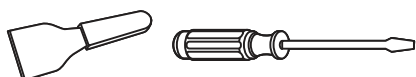
1. 8mm socket driver



2. Cross-shaped screwdriver



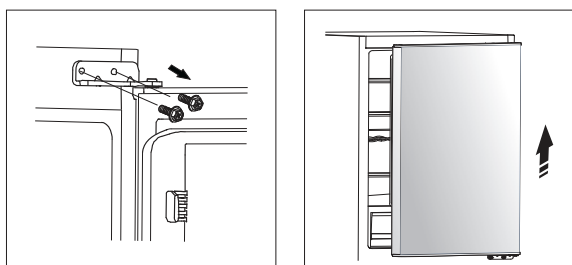
3. Putty knife or thin-blade screwdriver



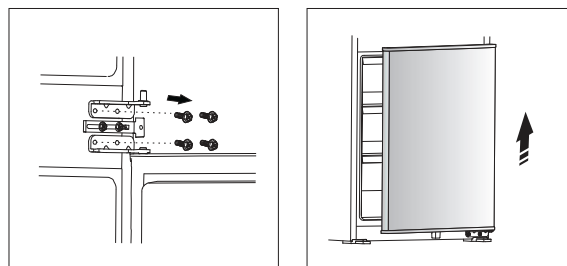
Note: When required, tilt the refrigerator side in order to gain access to the base, you should rest the appliance on soft foam packaging or similar material to avoid damage.

1. Stand the refrigerator upright. Open the upper door to take out all door racks (to avoid racks damaged) and then close the door.

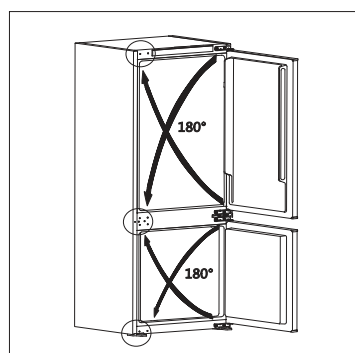
2. Unscrew the upper door hinge and remove it. Remove the upper door from the middle hinge by carefully lifting the door straight up. Then place it on a smooth surface with its upper cover upwards.



3. Loose screws used to fix the middle door hinges and remove them. Then remove the lower door. And unscrew the lower door hinge.



4. Change screw hole covers from left to right, and change the door hinges to opposite side (as shown in figure below).



5. Fix the lower hinge with screws, and slot the lower door onto the bottom hinge pin and hold in position. Adjust the middle hinges to to the appliance position and then install it ensuring the lower door is secured in place.
6. Install the upper door and the upper hinge as the same way.

Note: When reversing the door, the cabinet installation can refer to Built-In Fridge Freezer installation instructions.

1) If doors squeak when opened, the sliders are mounted correctly, sliders should be checked that it is fitted level.

2) To ensure the doors are fully closed/sealed, conduct a test on both doors following the installation of decor door, such as using a sheet of paper in-between the unit door and its seal and closing the decor door and seeing if there is any tension observed when pulling the sheet of paper - the sheet should hold in place and not fall out.

3) For reversing the door, the hole covers need to be removed from the current location and refitted to cover the new holes. If these break when removing and can be replaced by accessory bag.

Disposal of the appliance

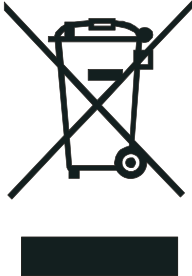
It is prohibited to dispose of this appliance in domestic household waste.

Packaging materials

Packaging materials with the recycle symbol are recyclable. Dispose of the packaging in a suitable waste collection container to recycle it.

Before disposal of the appliance.

1. Disconnect the main plug from the main socket.
2. Cut off the main cable and discard it.

	Correct disposal of this product
	<p>This marking indicates that this product should not be disposed with other household wastes throughout the EU. To prevent possible harm to the environment or human health from uncontrolled waste disposal, recycle it responsibly to promote the sustainable reuse of material resources. To return your used device, please use the return and collection systems or contact the retailer where the product was purchased. They can take this product for environmental safe recycling.</p>

To avoid contamination of food, please respect the following instructions

- Opening the door for long periods can cause a significant increase of the temperature in the compartments of the appliance.
- Clean regularly surfaces that can come in contact with food and accessible drainage systems.
- Store raw meat and fish in suitable containers in the refrigerator, so that it is not in contact with or drip onto other food.
- Two-star frozen-food compartments are suitable for storing pre-frozen food, storing or making icecream and making ice cubes.
- One-, two- and three-star compartments are not suitable for the freezing of fresh food.

Order	Compartments TYPE	Target storage temp.[°C]	Appropriate food
1	Fridge	+2 ~+8	Eggs, cooked food, packaged food, fruits and vegetables, dairy products, cakes, Drinks and other foods which are not suitable for freezing.
2	(***)*-Freezer	≤-18	Seafood (fish, shrimp, shellfish), freshwater aquatic products and meat products (recommended time is 3 months – nutrition values and taste decrease with time), suitable for frozen fresh food.
3	***-Freezer	≤-18	Seafood (fish, shrimp, shellfish), freshwater aquatic products and meat products (recommended time is 3 months – nutrition values and taste decrease with time). Not suitable for freezing fresh food.
4	** -Freezer	≤-12	Seafood (fish, shrimp, shellfish), freshwater aquatic products and meat products (recommended time is 2 months – nutrition values and taste decrease with time). Not suitable for freezing fresh food.
5	*-Freezer	≤-6	Seafood (fish, shrimp, shellfish), freshwater aquatic products and meat products (recommended time is 1 month – nutrition values and taste decrease with time). Not suitable for freezing fresh food.
6	0-star	-6 ~ 0	Fresh pork, beef, fish, chicken, some packaged processed foods, etc. (Recommended to eat within the same day, preferably not later than 3 days) . Partially packed/wrapped up encapsulated processed foods (non-freezable foods)
7	Chill	-2 ~+3	Fresh/frozen pork, beef, chicken, freshwater aquatic products, etc.(7 days below 0 °C and above 0 °C is recommended for consumption within that day, preferably no more than 2 days). Seafood (less than 0 for 15 days, it is not recommended to store above 0 °C)

8	Fresh Food	0 ~ +4	Fresh pork, beef, fish, chicken, cooked food, etc. (Recommended to eat within the same day, preferably no more than 3 days)
9	Wine	+5 ~ +20	red wine, white wine, sparkling wine etc.

Note: please store different foods according to the compartments or target storage temperature of your purchased products.

- If the refrigerating appliance is left empty for long periods, switch off, defrost, clean, dry, and leave the door open to prevent mould developing within the appliance.

Water dispenser cleaning (special for water dispenser products):

- Clean water tanks if they have not been used for 48 h; flush the water system connected to a water supply if water has not been drawn for 5 days.

WARNING! Food needs to be packed in bags before putting into the refrigerator, and liquids need to be packed in bottles or capped containers to avoid the problem that the product design structure is not easy to clean.

Conteúdo

Informações de segurança e aviso	2	Dicas úteis e sugestões	14
Descrição do aparelho	9	Limpeza e manutenção	15
Controle eletrônico	9	Solução de problemas	16
Primeiro uso e instalação	11	Inverter a porta	18
Uso diário	13	Eliminação do aparelho	19



Informações de segurança e aviso

Para a sua segurança e o uso correto, antes de instalar e usar o aparelho, leia este manual do usuário com atenção, incluindo as suas sugestões e advertências. Para evitar erros e acidentes desnecessários, é importante certificar-se de que todas as pessoas que utilizam o aparelho conheçam o seu funcionamento e as características de segurança. Guarde estas instruções e certifique-se de que elas acompanham o aparelho em caso de transferência ou venda, para que o uso dela durante toda a sua vida será devidamente informado sobre o seu uso correto e a segurança. Para a segurança de vidas e propriedades, preste atenção às precauções de instruções do usuário porque o fabricante não é responsável por danos causados por omissão.

Segurança para crianças e outras que são pessoas vulneráveis

- De acordo com o padrão EN
Este aparelho pode ser usado por crianças com idades de 8 anos e acima e pessoas com deficiências físicas, sensoriais ou mentais ou falta de experiência e conhecimento se eles têm recebido supervisão ou instruções relativas à utilização do aparelho de forma segura e compreenderam os perigos envolvidos. As crianças não devem brincar com o aparelho. Limpeza e manutenção não podem ser feitas por crianças sem supervisão.

De acordo com o padrão IEC

Este aparelho não se destina a ser utilizado por pessoas (incluindo crianças) com capacidades reduzidas físicas, sensoriais ou mentais, ou falta de experiência e conhecimento, a menos que tenham recebido supervisão ou instruções relativas à utilização do aparelho por uma pessoa responsável pela sua segurança.

- Mantenha todas as embalagens fora do alcance das crianças porque há o risco de asfixia.
- Se você está descartando o aparelho, retire o plugue a partir da tomada, corte o cabo de conexão (o mais próximo do aparelho possível) e retire a porta para evitar que as crianças sofram um choque elétrico ou fechem-se no interior.
- Se este aparelho, com a vedação magnética de porta, será usado para substituir um aparelho mais velho que tem um fecho de mola (trava) na porta ou tampa, certifique-se de deixar o fecho de mola inutilizável antes de descartar o aparelho antigo. Isso vai impedir que a trava se torne uma armadilha mortal para uma criança.

Segurança geral



- AVISO-Este aparelho é destinado para ser usado em casa ou aplicações similares, tais como-áreas de cozinha em lojas, escritórios e outros ambientes de trabalho;
 - fazenda e por clientes em hotéis, motéis e outros tipos de ambientes residenciais;
 - ambientes de cama e café da manhã;
 - restauração e aplicações não-varejo semelhantes
 - AVISO - Não guarde substâncias explosivas, tais como latas de aerossol com um propulsor inflamável neste aparelho.
 - AVISO - Se o cabo de alimentação estiver danificado, ele deve ser substituído pelo fabricante, pelo agente autorizado ou pessoal qualificado para evitar um perigo.
 - AVISO - Mantenha as aberturas de ventilação na caixa do aparelho ou na estrutura interna sem obstruções.
 - AVISO - Não utilize dispositivos mecânicos ou outros meios para acelerar o processo de descongelamento, exceto os recomendados pelo fabricante.
 - AVISO - Não danifique o circuito de refrigeração.
 - AVISO - Não utilize aparelhos elétricos no interior dos compartimentos de armazenamento de alimentos do aparelho, a menos que sejam do tipo recomendado pelo fabricante.
-

-
- AVISO-Orefrigerante e ogás de isolamento são inflamáveis. Ao descartar oaparelho, faça-o apenas emum centro autorizadode eliminação de resíduos. Não exponha-o ao fogo.
 - AVISO — Ao posicionar o aparelho, certifique-se de que o cabo de alimentação não esteja preso ou danificado.
 - AVISO —Não localize várias tomadas de soquete portáteis ou fontes de alimentação portáteis na parte traseira do dispositivo.
 - AVISO - Para evitar um risco devido à instabilidade do aparelho, ele deve ser fixado de acordo com as instruções.

Substituir as lâmpadas de iluminação

- AVISO — As lâmpadas de iluminação não devem ser substituídas pelo usuário! Se as lâmpadas de iluminação estiverem danificadas, entre em contato com a linha de atendimento ao cliente para obter assistência.

Este aviso é apenas para refrigeradores que contêm lâmpadas de iluminação.

Refrigerante

O refrigerante isobuteno (R600a), um gás natural comum elevado nível de compatibilidade com oambiente, está contido dentro do circuito de refrigerante do aparelho que é inflamável. Durante o transporte e a instalação do aparelho, assegure que nenhum dos componentes do circuito de refrigeração se torna danificado

O refrigerante (R600a) éinflamável.

- AVISO - Os refrigeradores contêm refrigerante e gases no isolamento. O refrigerante e os gases devem ser descartados profissionalmente, pois podem causar ferimentos nos olhos ou ignição. Certifique-se de que a tubulação do circuito de refrigerante não seja danificada antes do descarte adequado.



Aviso: Risco de Incêndio / materiais inflamáveis

Se o circuito de refrigeraçãodeve ser danificado:

- Evite chamas e fontes deignição.
 - Ventile completamente a sala em que se fixa o aparelho.
-

É perigoso alterar as especificações ou modificar este produto de qualquer forma.

Qualquer dano ao cabo pode causar um curto-circuito, incêndio e/ou choque elétrico.



Segurança elétrica

1. O cabo de alimentação não deve ser prolongado.
2. Certifique-se de que a ficha não está esmagada ou danificada. A ficha esmagada ou danificada pode superaquecer e causar um incêndio.
3. Certifique-se que você pode acessar a ficha principal do aparelho
4. Não puxe o cabo principal.
5. Se a tomada da ficha de alimentação estiver solta, não introduza a ficha de alimentação. Existe o risco de choque elétrico ou incêndio.
6. Você não deve operar o aparelho sem a tampa da lâmpada de iluminação interior.
7. O frigorífico é aplicada somente com a fonte de energia de corrente alternada da fase única de 220 ~240V/50Hz. Se a flutuação de tensão no distrito de usuário é tão grande que a tensão ultrapassa a faixa acima, por razões de segurança, não se esqueça de aplicar o regulador automático de tensão AC de mais de 350W para a geladeira. O frigorífico deve usar uma tomada especial em vez de um comum com outros aparelhos elétricos. A sua ficha deve corresponder à tomada com fio terra.

Uso diário

- Não guarde gases ou líquidos inflamáveis no aparelho, há risco de explosão.
 - Não opere qualquer aparelho elétrico no aparelho (p.ex. máquinas de gelado, misturadores etc.)
 - Ao desligar o aparelho, sempre coloque o plugue fora da tomada, não puxe o cabo.
 - Não coloque objetos quentes perto dos componentes plásticos deste aparelho.
-

-
- Não coloque alimentos directamente contra a saída de ar na parede traseira.
 - Guarde alimentos congelados pré-embalados em conformidade com as instruções do fabricante sobre alimentos congelados.
 - Recomendações de armazenamento do fabricante de aparelhos devem ser rigorosamente respeitados para se referir às instruções relevantes sobre o armazenamento.
 - Não coloque bebida gaseificada no compartimento de congelamento porque se cria a pressão no recipiente, o que pode fazê-la explodir, resultando em danos ao aparelho.
 - Os alimentos congelados podem causar queimaduras de geada se forem consumidos directamente a partir do congelador.
 - Não coloque o aparelho num lugar exposto à luz solar directamente.
 - Mantenha velas, lâmpadas e outros objetos com chamas expostas longe do aparelho para que não se deixe o aparelho em chamas.
 - O aparelho tem como objetivo conservar alimentos e/ou bebidas em casa normal, como explicado neste manual de instruções. O aparelho é pesado. Cuidados devem ser tomados ao deslocá-lo.
 - Não retire nem toque itens do congelador se suas mãos estão húmidas/molhadas, pois isso pode causar abrasões na pele ou queimaduras de geada.
 - Nunca utilize a base, gavetas, portas etc, para ficar de pé ou como suportes.
 - Os alimentos congelados não devem ser novamente congelados uma vez que foram descongelados.
 - Não consuma picolés de gelo ou cubos de gelo directamente do congelador, pois isso o gelo pode causar queimaduras a boca e lábios.
 - Para evitar a queda de itens que pode causar ferimentos ou danos ao equipamento, não sobrecarregue as prateleiras da porta ou coloque muita comida nas gavetas.
 - **Nunca cubra ou obstrua as lâminas de ventilação do aparelho.**
-

Cuidado!

Manutenção e limpeza

- Antes da manutenção, desligue o aparelho e desconecte o plugue principal a partir da tomada.
- Não limpe o aparelho com objetos de metal, limpeza a vapor, óleos etéreos, solventes orgânicos ou produtos de limpeza abrasivos.
- Não use objetos pontiagudos para remover o gelo do aparelho. Use uma espátula de plástico.

Instalação Importante!

- Para a ligação elétrica com cuidado, siga as instruções dadas neste manual.
 - Desembale o aparelho e verifique se há danos no aparelho. Não ligue o aparelho se ele estiver danificado. Apresente danos possíveis imediatamente para o lugar onde você o comprou. Neste caso, retenha a embalagem.
 - É aconselhável esperar pelo menos quatro horas antes de ligar o aparelho para permitir que o petróleo flua de volta ao compressor.
 - A circulação de ar adequada deve ser em torno do aparelho, a falta disso leva a sobreaquecimento. Para obter uma ventilação suficiente, siga as instruções relevantes para a instalação.
 - Sempre que possível, a parte traseira do produto não deve estar muito perto de uma parede para evitar tocar ou pegar partes quentes (compressor, condensador) para evitar o risco de incêndio, siga as instruções relevantes para a instalação.
 - O aparelho não deve ser localizado perto de radiadores ou fogões.
 - Certifique-se de que a ficha elétrica está acessível após a instalação do aparelho.
-

Serviço

- Qualquer trabalho elétrico necessário para fazer a manutenção do aparelho deve ser feito por eletricista qualificado ou pessoa competente.
- Este produto deve ser reparado por um Centro de Assistência autorizado, e apenas peças originais devem ser usados.
 - 1) Se o aparelho é Frost Free.
 - 2) Se o aparelho contém congelador.

Em caso de avaria

Se ocorrer uma avaria no aparelho, veja primeiro a seção “Resolução de problemas” destas instruções. Se as informações fornecidas não ajudarem, não realize reparos adicionais por si próprio.

Sob nenhuma circunstância você deve tentar reparar o aparelho por si próprio. Reparos realizados por pessoas inexperientes podem causar ferimentos ou mau funcionamento sério.

Remover embalagem de transporte

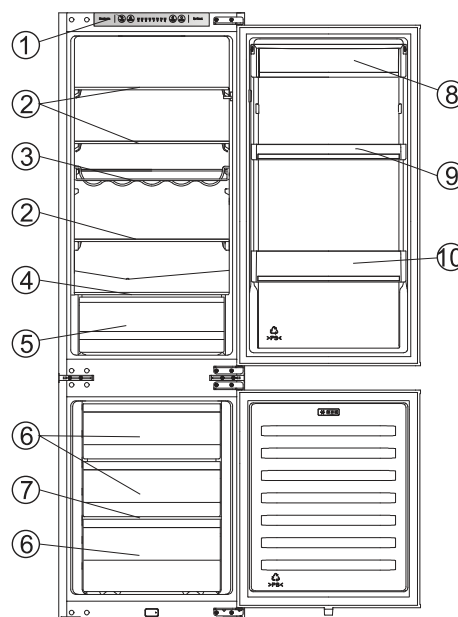
O aparelho e os acessórios interiores estão protegidos para transporte. Retire a fita adesiva no lado esquerdo e direito da porta. Você pode remover quaisquer restos de adesivo com white spirit. Remova toda a fita adesiva e peças de embalagem do interior do aparelho.

Nota: As crianças dos 3 aos 8 anos podem colocar e tirar aparelhos de refrigeração. (Esta cláusula apenas se aplica à região da UE).

Descrição do aparelho

Vista do aparelho

1. Controle eletrônico
2. Prateleiras de armazenamento
3. Prateleira de garrafa
4. Tampa da gaveta de vegetais
5. Gaveta de vegetais
6. Gavetas de congelador
7. Vidro de congelador
8. Prateleira superior
9. Prateleira médio
10. Prateleira inferior



Nota: devido à modificação constante de nossos produtos, sua geladeira pode ser ligeiramente diferente deste manual de instruções, mas suas funções e métodos de uso permanecem os mesmos.

Nota: Para obter a melhor eficiência energética deste produto, coloque todas as prateleiras, gavetas e cestos nas suas posições originais como na ilustração acima.

Controle Eletrônico

Todas as funções e controles da unidade são acessíveis a partir dum painel de controle localizado convenientemente no telhado do armário. Uma placa de circuito de exibição permite a configuração fácil de recursos e configurações de forma simples e intuitiva.

Importante

Quando a geladeira estiver energizada, todas as luzes de piloto acenderão por 3 segundos e você também ouvirá um longo som de "beep". A placa de exibição consiste em quatro botões e oito luzes de piloto. Você ouvirá um som curto de "beep" quando você pressionar os botões.

Controlar a temperatura

Para garantir o funcionamento normal da geladeira, recomendamos que, quando você inicia sua geladeira pela primeira vez, a temperatura do refrigerador seja ajustada para 5 °C.

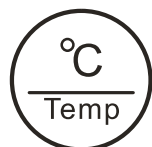
No entanto, a configuração exata deve ser escolhida, tendo em mente que a temperatura dentro do aparelho depende de:

- temperatura do quarto
- com que frequência a porta está aberta
- quantidade de alimentos armazenados
- localização do aparelho



Controle eletrônico (localizado na parte superior do aparelho)

1. Temperatura



Pressione o botão "Temp" para ajustar a temperatura do refrigerador entre 8 °C e 2 °C, conforme necessário, e a luz da temperatura comparável irá exibir os valores correspondentes de acordo com a sequência a seguir.



Nota!

As configurações podem ser feitas de 2 a 8. Você obterá uma temperatura de geladeira mais fria e uma temperatura mais baixa do congelador através de ajustar "Temp" para 2 posições: Configuração mais fria: 2 °C. Configuração mais quente: 8 °C.

- Para uma preservação ideal dos alimentos, uma configuração média é geralmente a mais adequada.

Nota: Se a temperatura definida for muito alta, o desperdício de alimentos será maior.

2. Super Fresco



Para congelar alimentos frescos, ative a função Super Cool em pelo menos 24 horas antes de colocar os alimentos para completar o pré-congelamento.

- O Super Cool é usado para realizar o pré-congelamento e congelamento rápido numa sequência de compartimentos de alimentos frescos e congelador. Essa função acelera o congelamento de alimentos frescos e, ao mesmo tempo, protege os alimentos já armazenados do aquecimento indesejável..
- Pressione o botão "Super Cool" para ativar a função super-cool. O ícone Super irá acender e o indicador de temperatura do frigorífico exibirá 2 °C. Super cool desliga-se automaticamente após 52 horas.
- Quando a função super-cool está ativada, você pode desligar a função super-cool através de pressionar o botão "Super Cool" ou "Temp", a configuração da temperatura da geladeira ou o modo

de função retornarão à configuração anterior.

3. Alarme



Em caso de alarme, o ícone "Alarme" irá acender e um som zumbido começará.

Pressione o botão "Alarme" para parar o alarme e o zumbido, então o ícone "Alarme" será desligado.

Alarme de porta

A luz de alarme acende e um som zumbido indica condições anormais, como uma porta deixada aberta acidentalmente.

- Deixar a porta do refrigerador aberto por mais de 2 minutos ativará um alarme de porta e um sinal sonoro. O alarme emitirá um sinal sonoro 3 vezes por minuto durante 10 minutos. Fechar a porta cancela o alarme da porta e um sinal sonoro.
- Para economizar energia, evite manter a porta aberta por um longo período de tempo ao usar geladeira.

4. Energia



Se você quiser parar de usá-lo, você pode desligar o aparelho através de pressionar o botão "Energia".

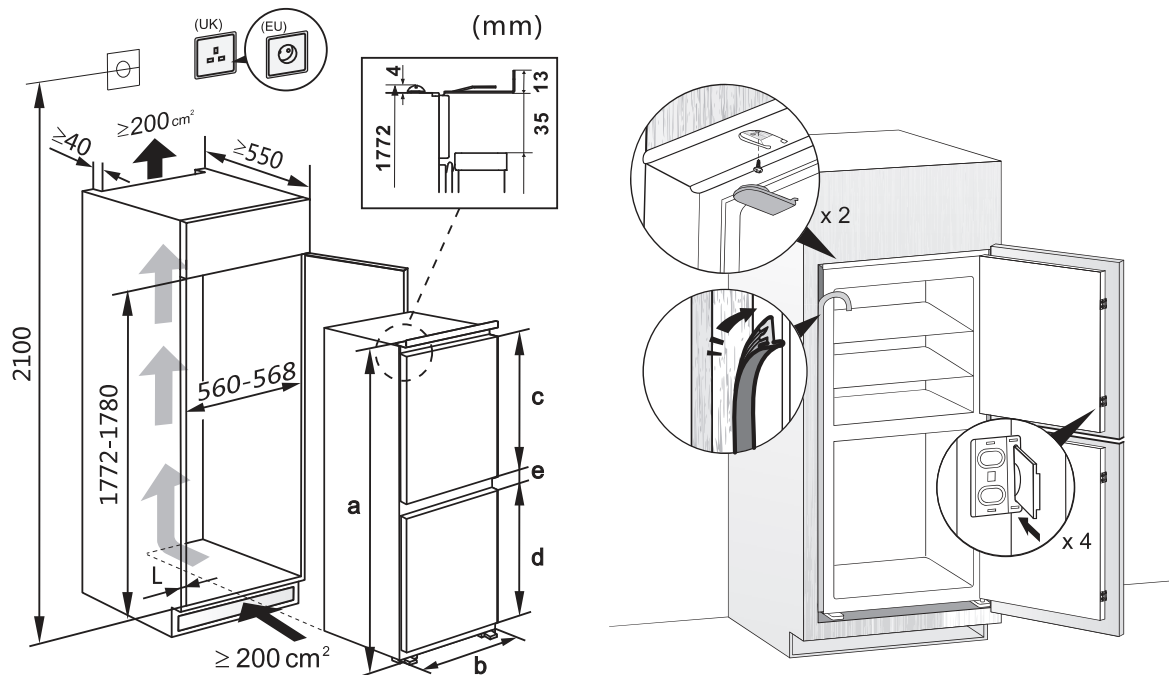
- Quando a geladeira estiver funcionando, você pode desligar o aparelho através de pressionar o botão "Energia" por mais de 3 segundos, enquanto o painel de exibição será desligado.

Importante!

- Não armazene nenhum alimento na geladeira durante este período. Se você não usa a geladeira por um longo período de tempo, puxe a ficha.
- Quando o aparelho está desligado, você pode ligar o aparelho através de pressionar o botão "Energia" por 1 segundo e o refrigerador retorna à temperatura anterior.

Primeiro uso e instalação

Congelador embutido da geladeira



Características técnicas

- a Altura
- b Largura
- c Altura da porta do frigorífico
- d Altura da porta do congelador
- e Profundidade
- f Ângulo de abertura da porta

Parâmetros do aparelho	a	b	c	d	e	f
MFCI 293	1772	540	990	632	71	$\cong 95^\circ$

Nota: Seu produto é projetado e construído apenas para uso doméstico. O produto deve estar corretamente instalado, localizado e operado de acordo com as instruções contidas nas Instruções do usuário fornecidas.

Nota: Os parâmetros fornecidos na tabela são parâmetros de projeto. Devido aos vários motivos, haverá um ligeiro desvio entre a dimensão real e o parâmetro desenhado. Os dados listados são apenas para referência.

Limpeza antes de usar

- Antes de usar o aparelho pela primeira vez, lave o interior e todos os acessórios internos com água morna e sabão neutro para remover o cheiro típico dum novo produto e depois seque completamente.

Posicionamento da instalação



Atenção! Antes da instalação, leia atentamente as instruções para sua segurança e o funcionamento correto do aparelho.

- Posicione o aparelho longe de fontes de calor como fogões, radiadores, luz solar direta, etc.
- O desempenho máximo e a segurança são garantidos através de manter a temperatura interna correta para a classe de unidade envolvido, conforme especificado na placa de classificação.
- O aparelho funciona bem no tipo de clima correspondente.
O aparelho pode não funcionar corretamente se for deixado por um período mais longo a uma temperatura acima ou abaixo do intervalo indicado.

Importante! É necessário ter uma boa ventilação em torno da geladeira para permitir a dissipação de calor, alta eficiência e baixo consumo de energia. Por este motivo, um espaço suficientemente limpo deve estar disponível em torno da geladeira.

Classe climática	Temperatura ambiente
SN	+10°C to +32°C
N	+16°C to +32°C
ST	+16°C to +38°C
T	+16°C to +43°C

Nivelamento

- O aparelho deve ser nivelado para eliminar a vibração. Para tornar o aparelho nivelado, o aparelho deve estar na posição vertical e os ajustadores devem estar em contato estável com o chão. Também ajuste o nível através de desparafusar o ajuste de nível apropriado na frente (use seus dedos ou uma chave inglesa adequada).

Conexão elétrica

Cuidado! Qualquer trabalho elétrico necessário para instalar o aparelho deve ser realizado por uma pessoa qualificada ou autorizada.

Atenção! Este aparelho deve ser aterrado. O fabricante declina qualquer responsabilidade se essas medidas de segurança não forem observadas.

Uso diário

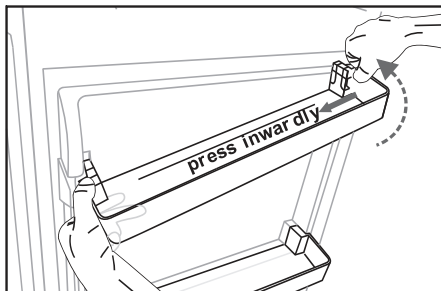
Acessórios 1)

Prateleiras/bandejas móveis

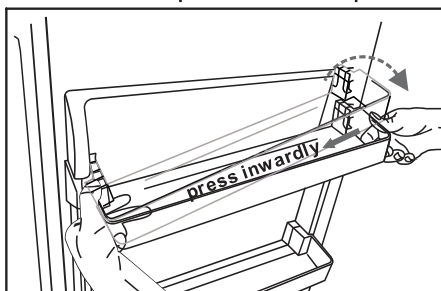
- Várias prateleiras de armazenamento de vidro, plástico ou bandejas de vinho estão incluídas no seu aparelho. Diferentes modelos têm combinações diferentes e diferentes modelos têm características diferentes.
- As paredes da geladeira estão equipadas com uma série de corredores para que as prateleiras possam ser posicionadas conforme desejado.

Posicionar as prateleiras da porta

- Para permitir o armazenamento de embalagens de alimentos de vários tamanhos, as prateleiras da porta podem ser colocadas em diferentes alturas.
- Para ajustar, puxe gradualmente a prateleira na direção das setas até que ele seja puxado totalmente, então reposicione-a conforme necessário.



Remova a prateleira da porta



Instale a prateleira da porta

Gaveta de vegetais

- Para armazenar frutas e vegetais.

Gaveta do congelador

- Para armazenar alimentos congelados.

Bandeja de cubo de gelo

- Para fazer gelo e armazenar cubos de gelo.

Compartimento do frigorífico 2)

- Para armazenar alimentos que não precisam ser congelados e diferentes seções adequadas para diferentes tipos de alimentos.

Compartimento de alimentos congelados 2)

- Para congelar alimentos frescos e armazenar alimentos congelados e ultracongelados por longos períodos de tempo.

Descongelamento de alimentos 2)

- No compartimento da geladeira.
- À temperatura ambiente.
- Em um forno de microondas.
- Em um forno convencional ou de convecção.
- Os alimentos, uma vez descongelados, devem ser re-congelados, com exceção de casos especiais.

- 1) Se o aparelho contiver acessórios e funções relacionados.
- 2) Se o aparelho contiver um compartimento de congelação.

Dicas úteis e sugestões

Ruídos na operação

Cliques- Sempre que o compressor seja ligado ou desligado, um clique pode ser ouvido.

Humming- Assim que o compressor estiver em operação, você pode ouvi-lo zumbir.

Borbulhamento - Quando o refrigerante flui em tubos finos, você pode ouvir ruídos borbulhantes ou salpicantes.

Salpicos - Mesmo que o compressor tenha sido desligado, esse ruído pode ser ouvido por um curto período de tempo.

Dicas de economia de energia

- Não instale o aparelho perto de fogões, radiadores ou outras fontes de calor.
- Mantenha o tempo por que o aparelho está aberto ao mínimo.
- Não ajuste a temperatura mais fria do que o necessário.
- Certifique-se de que as placas laterais e a placa traseira do aparelho estão a alguma distância da parede e siga as instruções relevantes para a instalação.
- Se o diagrama mostra a combinação correta para as gavetas e prateleiras, não ajuste a combinação, pois ele produz um efeito sobre o consumo de energia.

Dicas para refrigeração de alimentos frescos

- Não guarde alimentos quentes ou líquidos em evaporação no aparelho.
- Cubra ou envolva os alimentos, especialmente se tiver um forte sabor ou odor.
- Posicione a comida de modo que o ar possa circular livremente em torno dela.

Dicas para refrigeração

- Carne (todos os tipos): envolva em sacos de polietileno (plástico) e coloque na prateleira de vidro acima da gaveta de vegetais. Por segurança, armazene desta forma apenas um ou dois dias no máximo.
- Alimentos cozidos, pratos frios, etc ...: estes devem ser cobertos e podem ser colocados em qualquer prateleira.
- Frutas e vegetais: estes devem ser cuidadosamente limpos e colocados na gaveta especial fornecida.

- Manteiga e queijo: estes devem ser colocados em folha de alumínio ou sacos de polietileno (plástico), ao retirar o máximo de ar possível.
- Garrafas de leite: estas garrafas devem ter uma tampa e devem ser armazenadas na prateleira da garrafa na porta.

Dicas para congelação

- No primeiro arranque ou após um período fora de uso. Antes de colocar os alimentos no compartimento, deixe o aparelho funcionar por 2 horas com a configuração mais alta.
- Prepare alimento em pequenas porções para permitir que ele seja congelado rapidamente e completamente e para tornar possível descongelar posteriormente apenas a quantidade necessária.
- Embrulhe os alimentos em papel de alumínio ou polietileno (plástico) e assegure-se de que as embalagens estejam estanques.
- Não permita que alimentos frescos e não congelados toquem nos alimentos que já estejam congelados, evitando assim um aumento da temperatura do último.
- Os produtos congelados, se consumidos imediatamente após a remoção do compartimento de congelação, podem possivelmente causar que a pele se torne congelada.
- Recomenda-se rotular e fechar cada pacote congelado para acompanhar o tempo de armazenamento.

Sugestões para o armazenamento de alimentos congelados

- Certifique-se de que os alimentos congelados tenham sido armazenados corretamente pelo retalhista de alimentos.
- Uma vez descongelados, os alimentos deterioram-se rapidamente e não podem ser re-congelados.
- Não exceda o período de armazenamento indicado pelo fabricante de alimentos

Nota: Se o aparelho contiver acessórios e funções relacionados.

Desligar o seu aparelho

- Desligar o seu aparelho
- Retire a ficha de alimentação.
- Limpe e seque completamente o interior.
- Certifique-se de que todas as portas estejam abertas ligeiramente para permitir que o ar circule.

Limpeza e manutenção

Limpeza e cuidados

Por razões de higiene, o aparelho (incluindo acessórios interiores e exteriores) deve ser limpo regularmente, pelo menos, a cada dois meses.



Atenção! Perigo de choque elétrico!

- O aparelho não deve ser conectado à fonte de alimentação principal durante a limpeza. Antes de limpar, desligue o aparelho e remova a ficha da fonte de alimentação principal, ou desligue o disjuntor ou o fusível.

Limpeza exterior

Para manter a boa aparência do seu aparelho, você deve limpá-lo regularmente.

- Limpe o painel digital e o painel de exibição com um pano limpo e macio.
- Pulverize água no pano de limpeza em vez de pulverizar diretamente na superfície do aparelho. Isso ajuda a assegurar uma distribuição uniforme da umidade na superfície.
- Limpe as portas e as superfícies do gabinete com um detergente suave e depois seque-as com um pano macio.

Cuidado!

- Não use objetos pontiagudos, pois eles podem arranhar a superfície.
- Não use Diluente, Detergente de carro, Clorox, óleo etéreo, produtos de limpeza abrasivos ou solvente orgânico, como benzeno para limpeza. Os produtos podem danificar a superfície do aparelho e provocar um incêndio.

Limpeza interior

- Você deve limpar regularmente o interior do aparelho. Será mais fácil de limpar quando os estoques de alimentos são baixos. Limpe o interior do frigorífico com uma solução fraca de bicarbonato de sódio e, em seguida, enxágue-o com água morna através de uma esponja ou pano escorrido. Limpe e seque o aparelho completamente antes de substituir as prateleiras e cestos. Seque bem todas as superfícies e peças removíveis antes de colocá-las novamente no lugar.
- Embora este aparelho seja automaticamente descongelado, pode ocorrer uma camada de geada nas paredes interiores do compartimento de congelação se a porta do congelador for aberta frequentemente ou por muito tempo. Se a geada é muito grossa, escolha uma hora em que o fornecimento de estoques de alimentos seja baixo e proceda da seguinte forma:

- Retire os cestos de alimentos e acessórios existentes, desligue o aparelho da corrente elétrica e deixe as portas abertas. Ventile a sala completamente para acelerar o processo.
- Quando a descongelação estiver concluída, limpe o congelador conforme descrito acima.

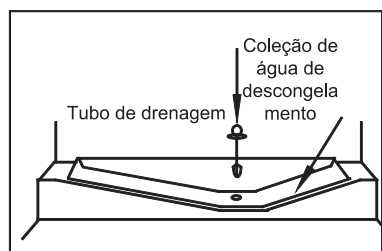
Cuidado!

Não use objetos afiados para remover a geada do compartimento de congelação. Ligue e conecte o aparelho para a tomada da rede elétrica somente após que o interior esteja completamente seco.

Descongela

A) Compartimento do frigorífico

- Este compartimento descongela-se automaticamente. A água de descongelação corre para o tubo de drenagem através dum recipiente de recolha na parte traseira do aparelho.



B) Compartimento do congelador

- Este compartimento descongela-se automaticamente.

Limpeza de vedação de portas

- Tenha cuidado para manter as vedações da porta limpas. Alimentos e bebidas pegajosas podem causar que a vedação seja colada no armário e rasgada quando você abre a porta. Lave a vedação com um detergente suave e água morna. Enxague e sequ a vedação completamente após a limpeza.

Cuidado!

Somente depois que as vedações da porta estão completamente secas, o aparelho pode ser ligado

Substituição da luz LED

- Aviso: A luz LED não deve ser substituída pelo usuário! Se a luz estiver danificada, entre em contato com a linha de ajuda do cliente para obter assistência. Para substituir a luz LED, os seguintes passos podem ser seguidos:

1. Desconecte o aparelho.
2. Remova a tampa da luz, empurrando para cima e para fora.
3. Segure a tampa do LED com uma mão e puxe-a com a outra mão enquanto pressiona a trava do conector.
4. Substitua a luz LED e encaixe-a corretamente para o lugar determinado.

Solução de problemas

Se você tiver algum problema com o seu aparelho ou estiver preocupado que o aparelho não esteja funcionando corretamente, você pode realizar algumas verificações fáceis antes de solicitar o serviço, veja abaixo.

Aviso! Não tente reparar o aparelho por si próprio. Se o problema persistir depois de ter feito as verificações mencionadas a seguir, entre em contato com um eletricista qualificado, engenheiro de serviço autorizado ou a loja onde você adquiriu o produto.

Problema	Possível causa & Solução
O aparelho não está funcionando corretamente	Verifique se o cabo de alimentação está conectado à tomada de energia corretamente.
	Verifique o fusível ou circuito da fonte de alimentação, substitua-o se necessário.
	A temperatura ambiente está muito baixa. Tente definir a temperatura do compartimento para um nível mais frio para resolver este problema.
	É normal que o congelador não esteja funcionando durante o ciclo de descongelação automática, ou por um curto período de tempo após que o aparelho seja ligado para proteger o compressor.
Odores dos compartimentos	O interior deve ser limpo
	Alguns alimentos, recipientes ou embalagens causam odores.
Ruído do aparelho	Os sons abaixo são normais: <ul style="list-style-type: none"> ● Ruídos de operação do compressor. ● Ruído de movimento de ar do motor do ventilador pequeno no compartimento do refrigerador ou outros compartimentos. ● Som borbulhante semelhante ao de ebulição da água. ● Ruído de rebentar durante o descongelamento automático. ● Ruído de clique antes que o compressor funcione.
	Outros ruídos anormais são causados devido às razões abaixo e você pode verificar e tomar medidas: O gabinete não está horizontal. A parte traseira do aparelho encosta na parede. Garrafas ou outros recipientes caíam ou rolam.
O motor funciona continuamente	É normal ouvir frequentemente o som do motor, ele terá de funcionar mais nas seguintes circunstâncias: <ul style="list-style-type: none"> ● A configuração da temperatura é definida para o nível mais frio do que o necessário ● Grande quantidade de alimentos quentes foi recentemente armazenada no aparelho. ● A temperatura no exterior do aparelho é muito alta. ● As portas são mantidas abertas por um período de tempo muito longo ou muito frequentemente. ● Após a instalação do aparelho ou o aparelho tenha sido desligado por um longo tempo.
Uma camada de geada ocorre no compartimento	Verifique se as saídas de ar não estão bloqueadas por alimentos e garanta que o alimento é colocado dentro do aparelho para permitir uma ventilação suficiente. Certifique-se de que a porta está completamente fechada. Para remover os obstáculos, consulte o capítulo de limpeza e manutenção.

A temperatura no interior é muito alta	Você pode ter deixado as portas abertas por muito tempo ou com demasiada frequência; ou as portas são mantidas abertas por algum obstáculo; ou o aparelho está localizado com espaço insuficiente nos lados, costas e topo
A temperatura interna é muito fria	Aumente a temperatura através de seguir o capítulo "Controles de exibição".
As portas não podem ser fechadas facilmente	Verifique se o topo da geladeira está inclinado de volta por 10-15mm para permitir que as portas se fechem, ou se algo dentro está impedindo as portas de ser fechadas.
A água cai no chão	A panela de água (localizada na parte traseira do gabinete) pode não estar devidamente nivelada, ou o bico de drenagem (localizado em baixo da parte superior do depósito do compressor) pode não estar devidamente posicionado para direcionar a água para esta panela, ou o bico de água é bloqueado. Talvez seja necessário afastar o refrigerador da parede para verificar a furgão e o focinho.
A luz não está funcionando	<ul style="list-style-type: none">● A luz LED pode estar danificada. Consulte Substituir as luzes LED no capítulo de Limpeza e Cuidados.● O sistema de controle desativou as luzes devido à abertura da porta por muito tempo, fecha e reabre a porta para reativar as luzes.

Inverter a porta

O lado em que a porta se abre pode ser alterado do lado direito (conforme fornecido) para o lado esquerdo, se o local de instalação o permitir.

Atenção! Ao inverter a porta, o aparelho não deve ser conectado à rede elétrica. Certifique-se de que a ficha seja removida da tomada.

Ferramentas de que você precisará:

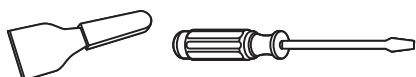
1. 8mm socket driver



2. Chave de fendas com cabeça em forma de cruz



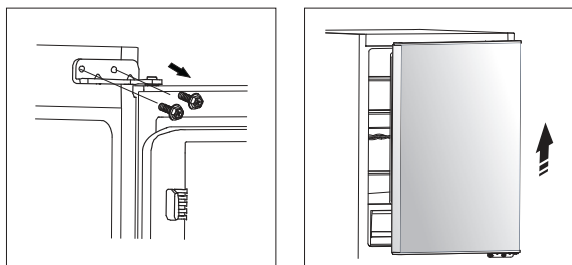
3. Disco de espátula ou chave de fenda



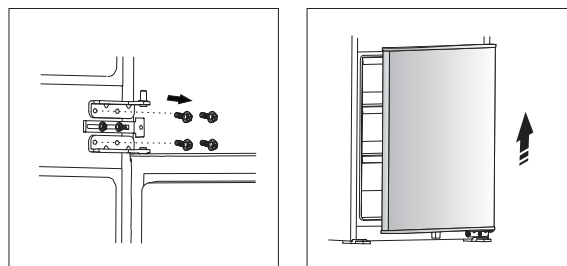
Nota: Quando necessário, incline o lado do refrigerador para obter acesso à base, você deve localizar o aparelho numa embalagem de espuma macia ou material similar para evitar danos.

1. Coloque a geladeira na posição vertical. Abra a porta superior para retirar todas as prateleiras da porta (para evitar que as prateleiras sejam danificadas) e, em seguida, feche a porta..

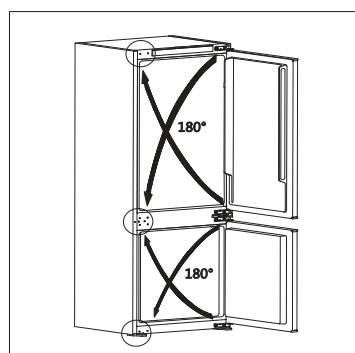
2. Desaparafuse a dobradiça da porta superior e remova-a. Remova a porta superior da dobradiça do meio através de levantar cuidadosamente a porta para cima. Em seguida, coloque-a numa superfície lisa com a tampa superior para cima.



3. Desaparafuse os parafusos utilizados para fixar as dobradiças da porta do meio e remova-os. Em seguida, retire a porta inferior. E desaperte a dobradiça da porta inferior.



4. Mude as tampas dos orifícios do parafuso da esquerda para a direita e mude as dobradiças da porta para o lado oposto (como mostrado na figura abaixo).



5. Fixe a dobradiça inferior com os parafusos e encaixe a porta inferior no pino da dobradiça inferior e segure-a na posição. Ajuste as dobradiças do meio para a posição do aparelho e instale-o, assegurando que a porta inferior fique segura no lugar.
6. Instale a porta superior e a dobradiça superior da mesma maneira.

Nota: Ao inverter a porta, a instalação do armário pode se referir às instruções de instalação do congelador embutido.

- 1) Se as portas rangem quando abertas, os controles deslizantes estão montados corretamente, os controles deslizantes devem ser verificados se estão nivelados.
- 2) Para garantir que as portas estão totalmente fechadas/vedadas, realize um teste em ambas as portas após a instalação da porta decorativa, por exemplo, use uma folha de papel entre a porta e a sua vedação e feche a porta decorativa para ver se há qualquer tensão observada ao puxar a folha de papel - a folha deve ficar no lugar e não cair.
- 3) Para inverter a porta, as tampas dos orifícios precisam de ser removidas do lugar atual e recolocadas para cobrir os novos orifícios. Se estes quebrarem ao remover e podem ser substituídos por bolsa de acessórios.

Eliminação do aparelho


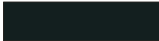
É proibido eliminar este aparelho em coleta de lixo doméstico.

Materiais de embalagem

Os materiais de embalagem com o símbolo de reciclagem são recicláveis. Descarte a embalagem num recipiente adequado para coleta de lixo para reciclá-la.

Antes da eliminação do aparelho

1. Desconecte o plugue principal da tomada principal.
2. Corte o cabo principal e descarte-o.

	Eliminação correta deste produto
 	<p>Esta marca indica que este produto não deve ser descartado com outros resíduos domésticos em toda a UE. Para evitar possíveis danos ao meio ambiente ou à saúde humana causados pela eliminação incontrolada de resíduos, recicle-o de forma responsável para promover a reutilização sustentável de recursos materiais. Para devolver o seu aparelho usado, utilize os sistemas de recolha ou contacte o revendedor onde o produto foi adquirido. Eles podem levar este produto para reciclagem segura ambiental.</p>

Para evitar a contaminação dos alimentos, respeite as seguintes instruções

- A abertura da porta por longos períodos pode causar um aumento significativo da temperatura nos compartimentos do aparelho.
- Limpe regularmente superfícies que possam entrar em contato com alimentos e sistemas de drenagem acessíveis.
- Armazene carne crua e peixe em recipientes adequados no refrigerador, para que não fique em contato ou pingue em outros alimentos.
- Os compartimentos de comida congelada de duas estrelas são adequados para armazenar alimentos pré-congelados, armazenar ou fazer sorvetes e fazer cubos de gelo.
- Os compartimentos de uma, duas e três estrelas não são adequados para o congelamento de alimentos frescos.

Ordem	Compartimentos TIPO	Temperatura de armazenamento alvo [° C]	Comida adequada
1	Geladeira	+2 ~+8	Ovos, alimentos cozinhados, alimentos embalados, frutas, legumes, laticínios, bolos, bebidas e outros alimentos que não devem ser congelados.
2	(***)*-Congelador	≤ -18	Marisco (peixe, camarão, mariscos), produtos de água doce e carnes (o tempo recomendado é 3 meses – os valores nutritivos e o gosto decrescem com o tempo), adequado para alimentos frescos congelados.
3	***-Congelador	≤ -18	Marisco (peixe, camarão, mariscos), produtos de água doce e carnes (o tempo recomendado é 3 meses – os valores nutritivos e o gosto decrescem com o tempo). Não adequado para congelar alimentos frescos.
4	** -Congelador	≤ -12	Marisco (peixe, camarão, mariscos), produtos de água doce e carnes (o tempo recomendado é 2 meses – os valores nutritivos e o gosto decrescem com o tempo). Não adequado para congelar alimentos frescos.
5	*-Congelador	≤ -6	Marisco (peixe, camarão, mariscos), produtos de água doce e carnes (o tempo recomendado é 1 mês – os valores nutritivos e o gosto decrescem com o tempo). Não adequado para congelar alimentos frescos.
6	0-estrela	-6 ~ 0	Carne de porco, vaca, peixe e frango fresca, alguns alimentos processados embalados, etc. (É recomendável comer no mesmo dia, preferencialmente não após 3 dias). Alimentos processados parcialmente embalados ou encapsulados (alimentos que não podem ser congelados)
7	Frio	-2 ~ +3	Carne de porco fresca/congelada, carne de vaca, frango, produtos aquáticos de água doce, etc. (7 dias abaixo de 0 °C e acima de 0 °C) é recomendada para consumo dentro desse dia, de preferência não mais que 2 dias). Frutos do mar (menos de 0 por 15 dias, não é recomendado para ser armazenado acima de 0 °C)

8	Comida Fresca	0 ~ +4	Carne de porco fresca, bife, peixe, frango, comida cozida, etc. (Recomendado para comer no mesmo dia, de preferência não superior a 3 dias)
9	Vinho	+5 ~ +20	vinho tinto, vinho branco, vinho espumante etc.

Nota: por favor guarde alimentos diferentes de acordo com os compartimentos ou a temperatura desejada de armazenamento dos produtos comprados.

- Se o aparelho de refrigeração ficar vazio por longos períodos, desligue, descongele, limpe, seque e deixe a porta aberta para evitar o desenvolvimento de mofo dentro do aparelho.

Limpeza do dispensador de água (especial para produtos dispensadores de água):

- Tanques de água limpa, caso não tenham sido utilizados por 48 horas; lave o sistema de água ligado a uma fonte de água se a água não tiver sido retirada durante 5 dias.

AVISO – Os alimentos precisam de ser embalados em sacos antes de serem colocados no frigorífico. Os líquidos precisam de estar engarrafados ou tampados para evitar o problema de não ser fácil de limpar a estrutura de design do produto.
